

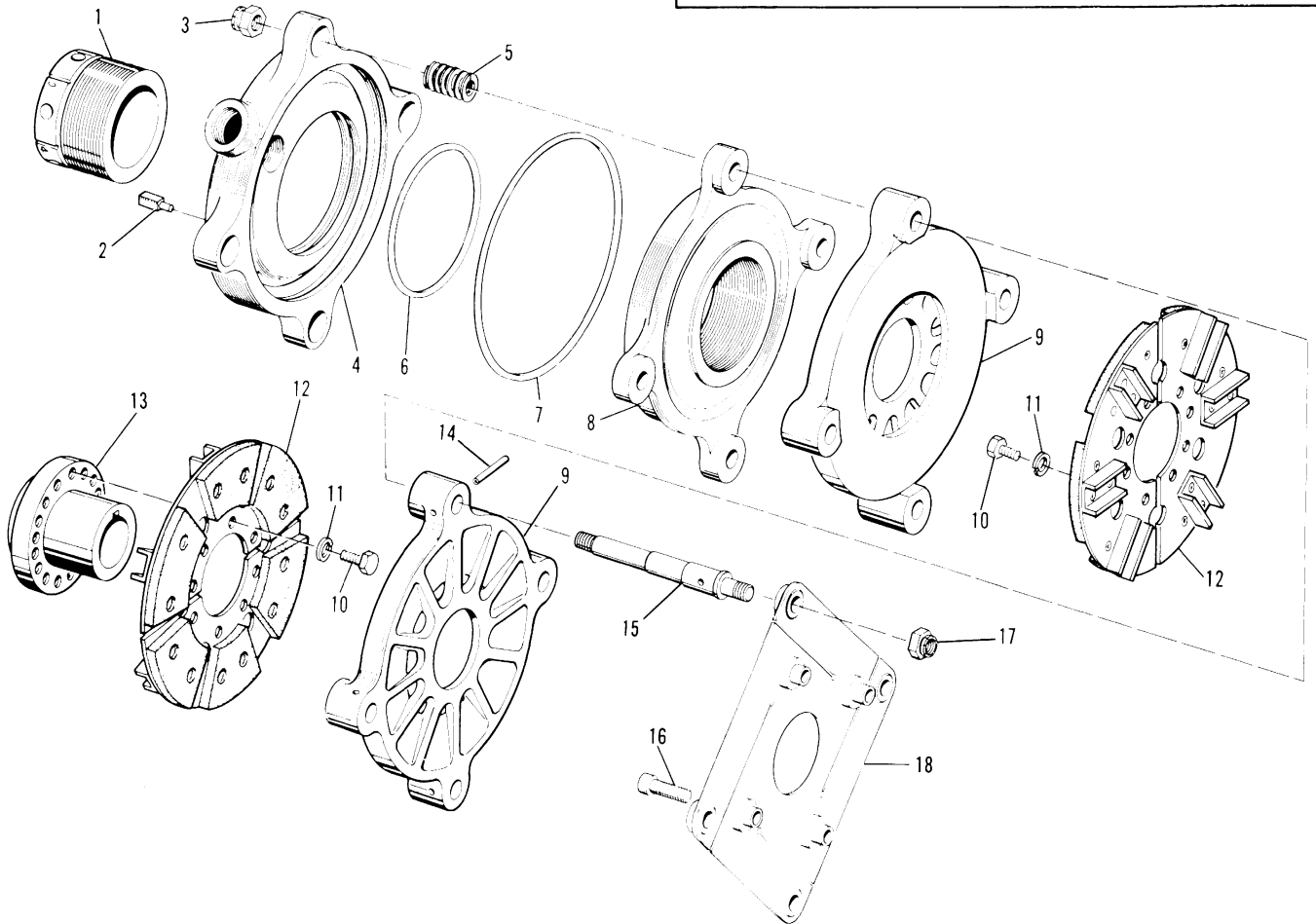
SECTION III

AIR OPERATED DISC BRAKE



This air brake is used at high speeds where extra braking power is required to control feed length. For timing instructions, see operating instructions, page 1-8. Disc type brakes are designed for high speed operation during which they will generate a lot of heat. The recommended maximum operating temperature is about 100° C

(212° F). Although the disc type brakes will operate satisfactorily at temperatures as high as 140° C, the brake life will be reduced considerably. The longest brake wear life will be obtained if brake spring pressure and press speed is adjusted to keep the temperature at or below 100° C. The spring loaded brake pressure can be adjusted precisely.



INDEX NO.	DESCRIPTION
1	Sleeve - Adjusting
2	Pin - Adjustment Gauge
3	Nut
4	Cylinder
5	Spring - Brake
6	Piston Ring - Inner
7	Piston Ring - Outer
8	Piston
9	Plate - Brake
10	Screw - Brake Disc

INDEX NO.	DESCRIPTION
11	Washer - Lock, Brake Disc
12	Disc and Lining Assembly*
13	Hub - Brake
14	Pin - Roll
15	Stud - Brake Plate
16	Screw - Socket-Head Cap
17	Nut - Mounting Plate
18	Brake Mounting Plate Assembly - Right-hand**

* Can be relined by factory at a nominal charge.

** Right-hand assembly (shown) used with roll shaft turning clockwise as seen from adjusting sleeve end; left-hand assembly (not shown) used with counter-clockwise rotation.