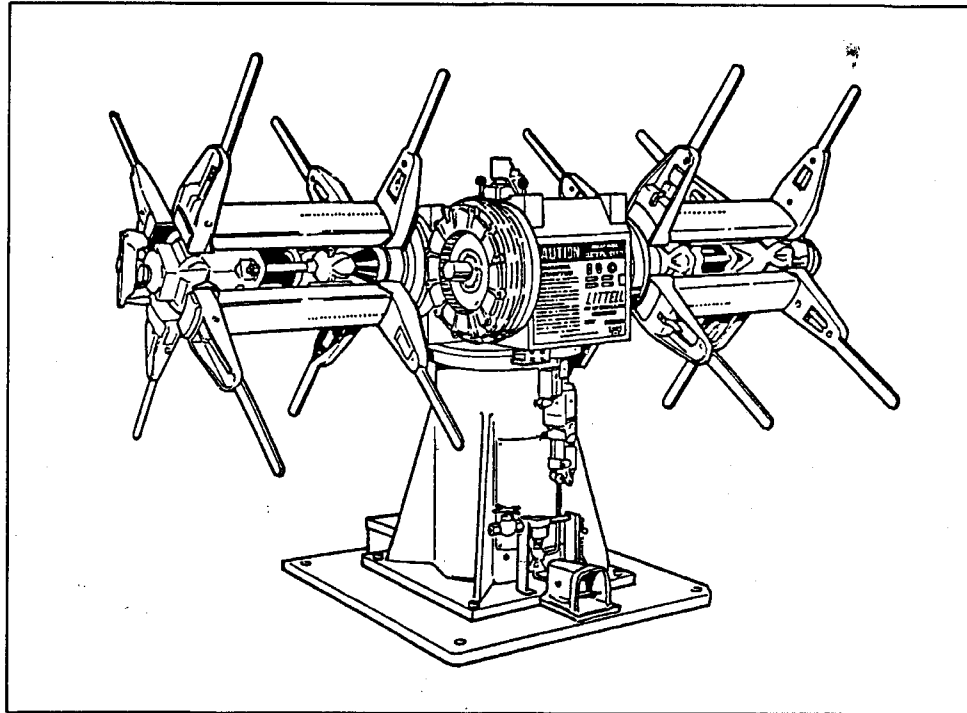
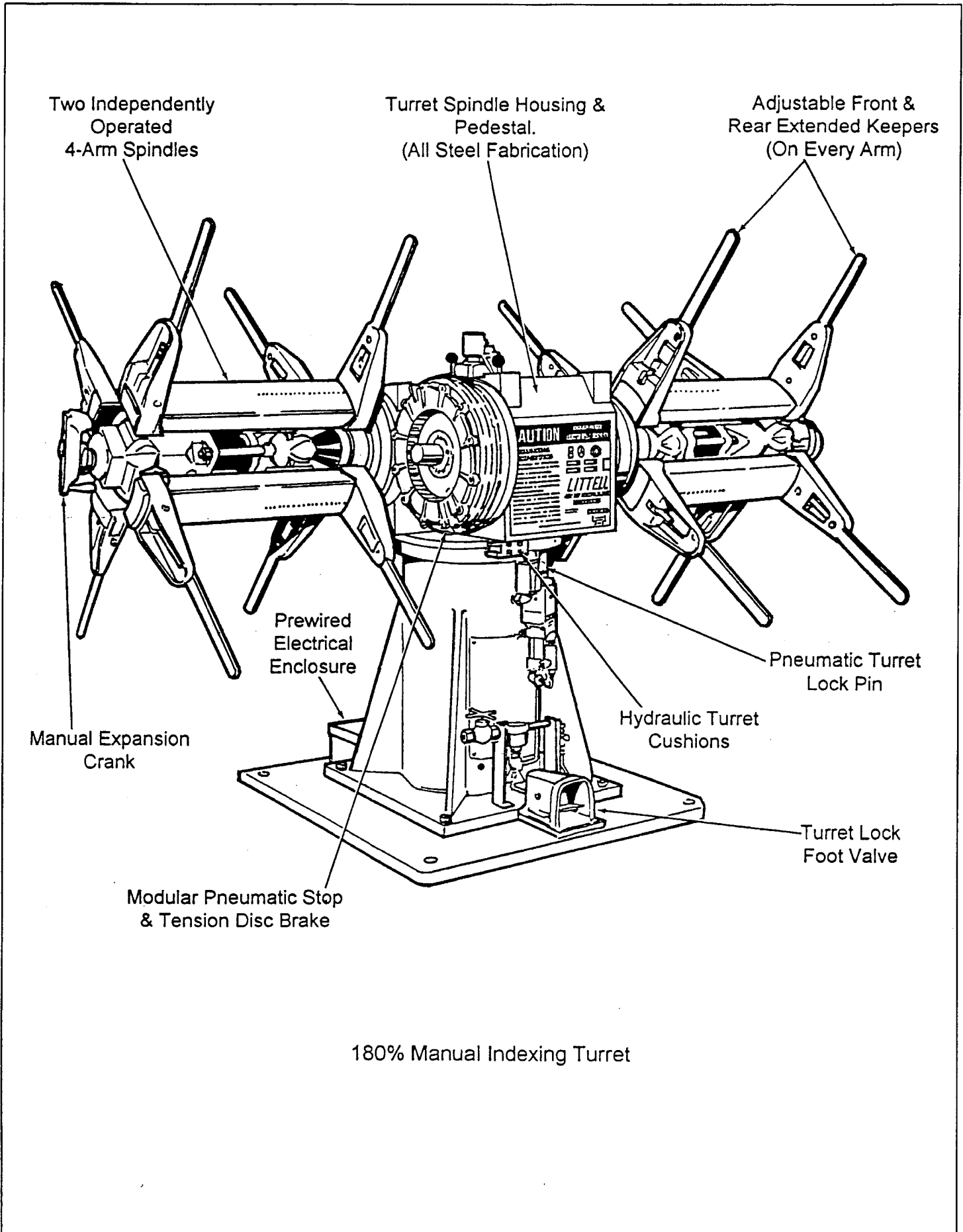


**No. 10024 ADVANTAGE SERIES D'BLE
AUTOMATIC CENTERING REEL****SERVICE BULLETIN
NUMBER SD-176**

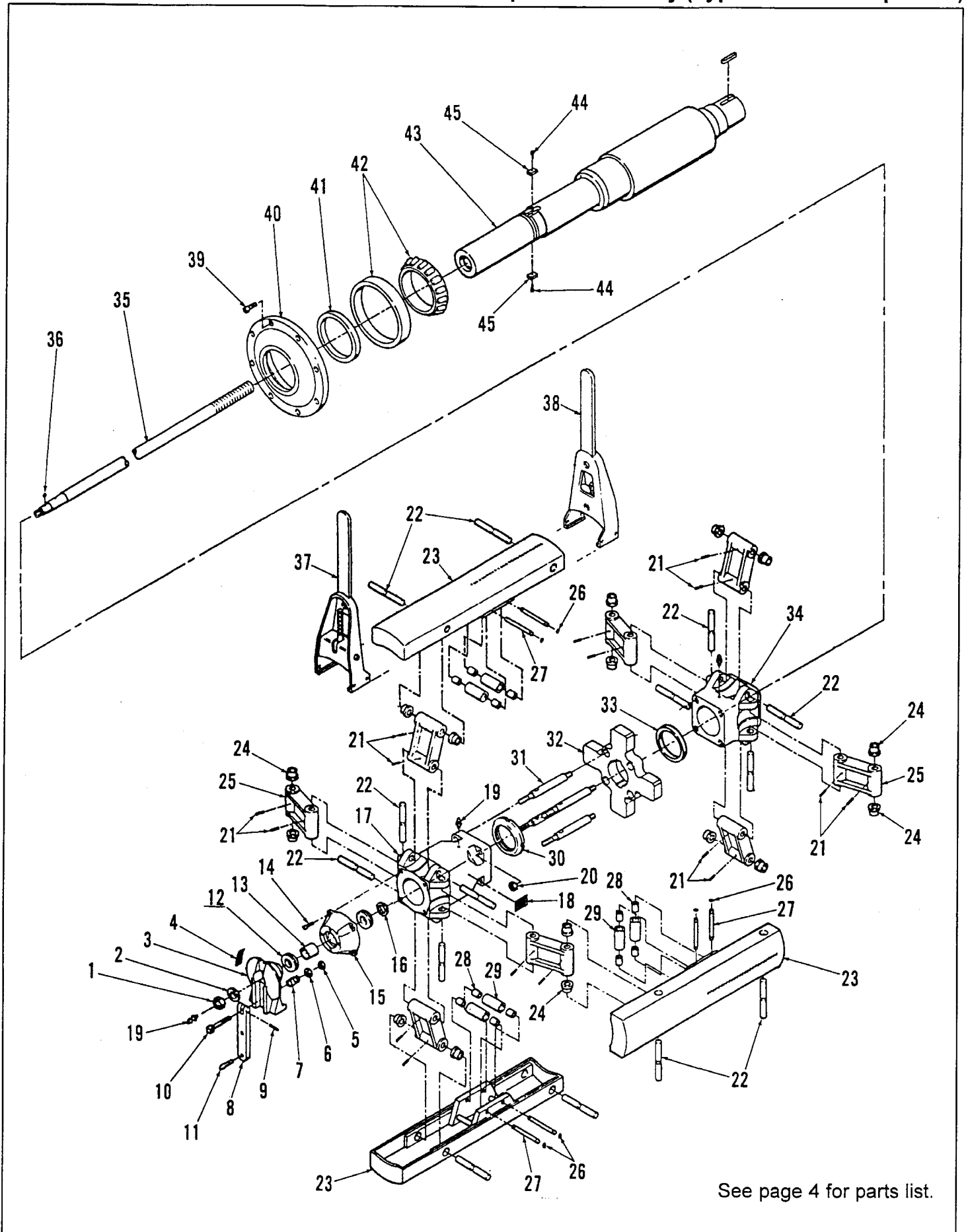
Index to exploded views and parts lists	Page (s)
Description - General	2
Spindle Assembly & Parts List	3-4
Pneumatic Tube Assembly, & Parts List	5
Bearing Case and Brake Assembly, & Parts Lists	6
Base & Turret Assembly & Parts List	7-8
Modular Pneumatic Unit, Pneumatic Diagram & Parts List	9
Wiring Diagram	10
Lubrication System	11

LITTELL INTERNATIONAL, INC.
145 SWIFT ROAD, ADDISON, ILLINOIS 60101-1407, U.S.A.
AREA CODE: (630) 916-6662 LITTELL TELEFAX: (630) 916-6663
SERVICE DEPARTMENT TELEFAX: (630) 916-6664

**No. 10024 Advantage Series D'ble Reel:
Description - General**



No. 10024 Advantage Series D'ble Reel:
Spindle Assembly (Typical For Both Spindles)

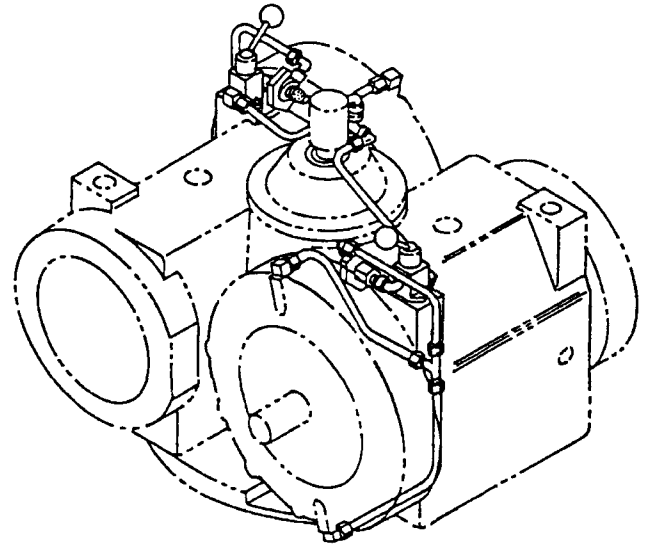
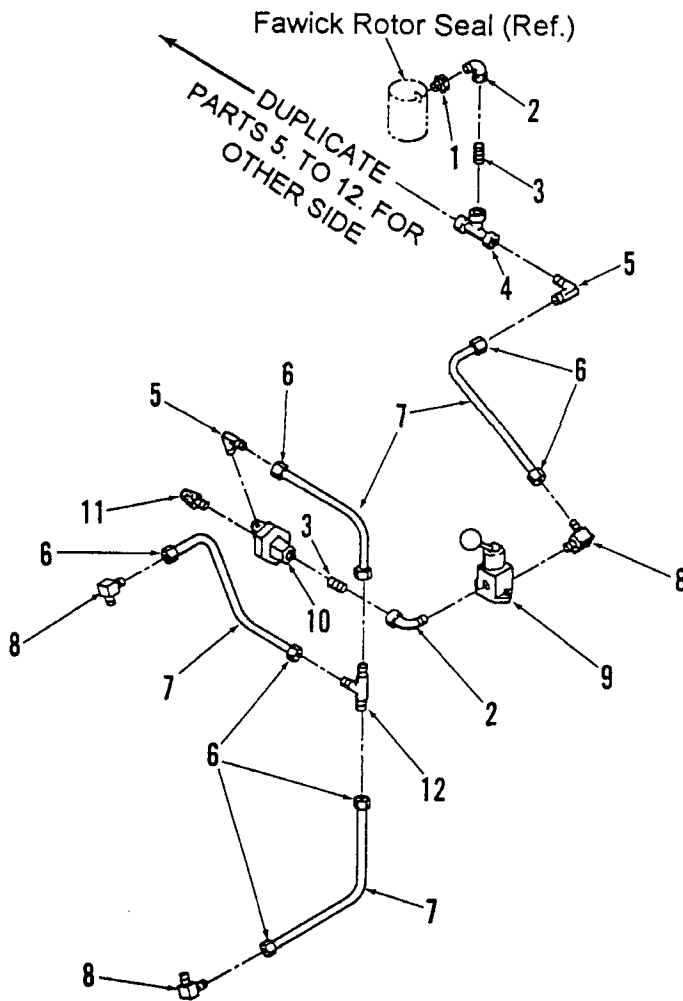


See page 4 for parts list.

**No. 10024 Advantage Series D'ble Reel:
Spindle Assembly Parts List.**

ITEM NO.	DESCRIPTION	QTY. REQ.	ITEM NO.	DESCRIPTION	QTY. REQ.
1.	Nut - Hex - Finished Jam (1"-14 R.H. Th'd)	2	24.	Bushing ("Super Oilite" Flange .88" x 1.12 x .93)	32
2.	Washer - Steel (1" I.D. x 3/16" Th'k)	2	25.	Link (5.250 Centers)	16
3.	Handwheel - Oblong	2	26.	Ring - Retaining ("Waldes" Tru-Arc No. 5100-62)	32
4.	Plate - Name (Lube Handwheel)	2	27.	Pin - Roller - Lower (.62" x 4.78" Lg.)	16
5.	Nut - ("Elastic Stop" .50"-20)	2	28.	Bushing ("Oilite" No. AA-832-1 .62" x .88" x 1.0")	32
6.	Washer - Steel (.50" I.D. x 1/8" Th'k)	2	29.	Roller	16
7.	Spring ("Danly" No. 9-1608-11)	2	30.	Locknut ("Mfgs. Std." No. AN21)	2
8.	Bar - Handle	2	31.	Rod - Connecting	8
9.	Pin - Roll ("Esna" No. 59-062-312-1500)	2	32.	Spider	2
10.	Pin - Handle Spring	2	33.	Spacer - Rear Sleeve	2
11.	Handle - Machine ("Cinn. Balcrank" No. 4-H-29427)	2	34.	Sleeve - Spindle Rear	2
12.	Bearing - Thrust ("Aetna" No. E-15)	4	35.	Screw - Adjusting	2
13.	Bearing - Needle ("RBC" No. SJ7255)	2	36.	Key - Woodruff (No. C)	2
14.	Screw - ("Nylok" Soc. Hd. Cap 3/8"-16 x 1-1/8" Lg.)	8	37.	Extension - Keeper Adjusting	8
15.	Retainer - Hdw. Bearing	2	38.	Extension - Keeper Lock	8
16.	Collar - Bearing	2	39.	Screw - ("Nylok" Soc. Hd. Cap 1/2"-13 x 1 1/2" Lg.)	16
17.	Sleeve - Spindle Front	2	40.	Retainer - Bearing - Front	2
18.	Plate - Name (Lube sleeve)	2	41.	Seal - Oil ("C.R." No. 60031 6.0" x 7.5" x .56")	2
19.	Fitting - Grease	6	42.	Bearing - Roller ("Timken" No. 99600-99100, Type TS)	2
20.	Nut - Hex - Finished Jam, (3/4"-16 R.H. Th'd)	8	43.	Shaft - Spindle	2
21.	Pin - Roll ("Esna" No. 59-048-250-1750)	32	44.	Screw - ("Nylok" Soc. Hd. Cap 1/4"-20 x 3/4" Lg.)	4
22.	Pin - Link - Sleeve	32	45.	Key - Spider	4
23.	Sub-Ass'y - Arm Reinforced	8			

No. 10024 Advantage Series D'ble Reel:
Pneumatic Tube Assembly and Parts List



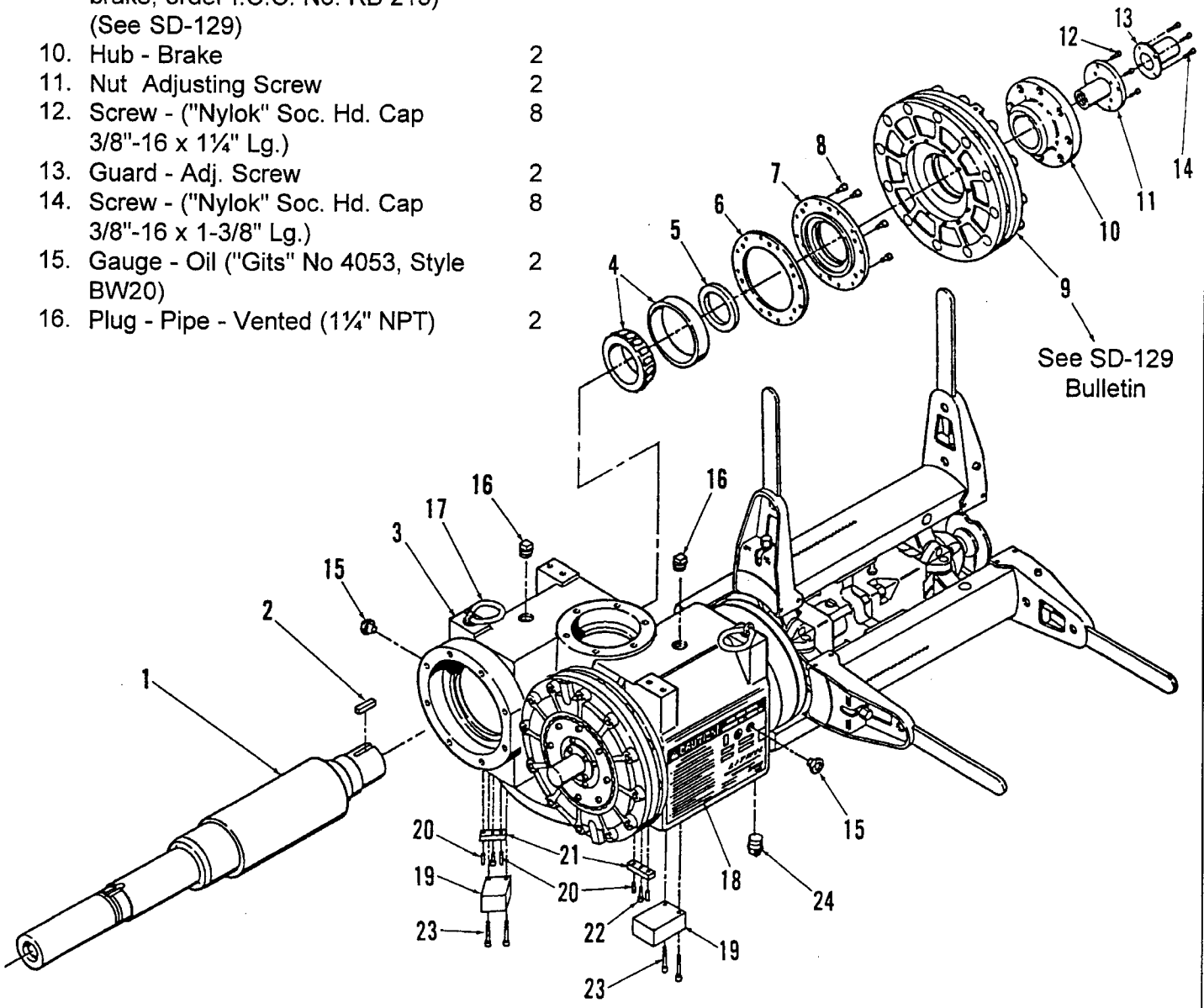
PNEUMATIC TUBES
ASSEMBLED ON
BEARING CASE

ITEM NO.	DESCRIPTION	QTY. REQ.
1.	Reducer, (1/2" Male to 1/4" Female)	2
2.	Elbow, (90° Street, 1/4")	4
3.	Nipple, (1/4" Male)	4
4.	Tee, (1/4" Female)	2
5.	Elbow, (90°, 1/4" Male)	4
6.	Fitting, Hose (1/4" Tubing x 1/4" Female)	16
7.	Tubing, (1/4" Copper) Cut and bend to Suit.	1

ITEM NO.	DESCRIPTION	QTY. REQ.
8.	Elbow, (90°, 1/4" Male)	6
9.	Valve, 3 Way Hand (See item 8. on page 9. Pneumatic Diagram.)	2
10.	Valve, Quick Exhaust ("Deltrol")	2
11.	Muffler ("Quietaire") Silencer - Pneumatic model No. MA004A	2
12.	Tee, (1/4" Male)	2

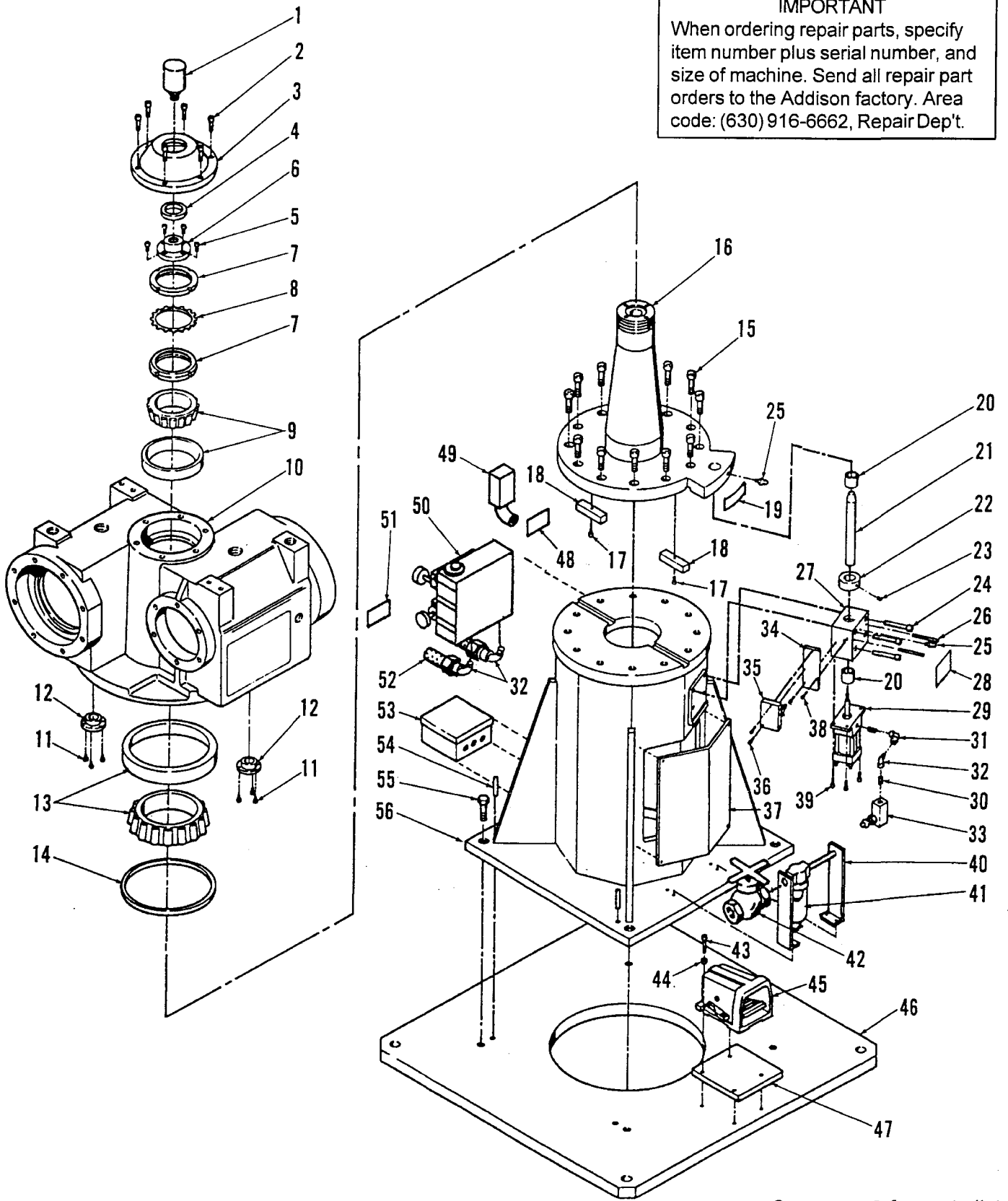
**No. 10024 Advantage Series D'ble Reel:
Bearing Case & Brake Assembly and Parts List**

ITEM NO.	DESCRIPTION	QTY. REQ.	ITEM NO.	DESCRIPTION	QTY. REQ.
1.	Shaft - Spindle (Reference)	2	17.	Ring - Lift ("Puritas")	2
2.	Key - Rectangular - Plain	2	18.	Plate - Name - "Capacity and Caution Safety Instructions"	2
3.	Case - Bearing	1	19.	Absorber - Shock ("Efdyn" No. ASB 1-1-PS-99)	2
4.	Bearing - Roller ("Timken No. 71450 Cone, No. 71750 Cup)	2	20.	Pin - Dowel (3/8" x 1 1/4" Lg.)	4
5.	Seal - Oil ("C.R." No. 38696 3.88" x 5" x .469")	2	21.	Key - Shock Absorber	2
6.	Shim set "Timken" AL30 - Special	2	22.	Screw - ("Nylok" Soc. Hd. Cap 3/8"-16 x 1 1/4" Lg.)	2
7.	Retainer - Rear Bearing	2	23.	Screw - ("Nylok" Soc. Hd. Cap 3/8"-16 x 2-3/4" Lg.)	4
8.	Screw - ("Nylok" Soc. Hd. Cap 1/2"-13 x 1 1/4" Lg.)	12	24.	Plug - Oil (For manual fill and drain 3/4" NPT.)	2
9.	Brake - Air - Single Disc ("I.C.C." No. RB115) (For optional double disc brake, order I.C.C. No. RB 215) (See SD-129)	2			
10.	Hub - Brake	2			
11.	Nut Adjusting Screw	2			
12.	Screw - ("Nylok" Soc. Hd. Cap 3/8"-16 x 1 1/4" Lg.)	8			
13.	Guard - Adj. Screw	2			
14.	Screw - ("Nylok" Soc. Hd. Cap 3/8"-16 x 1-3/8" Lg.)	8			
15.	Gauge - Oil ("Gits" No 4053, Style BW20)	2			
16.	Plug - Pipe - Vented (1 1/4" NPT)	2			



**No. 10024 Advantage Series D'ble Reel:
Base & Turret Assembly**

IMPORTANT
When ordering repair parts, specify item number plus serial number, and size of machine. Send all repair part orders to the Addison factory. Area code: (630) 916-6662, Repair Dept.

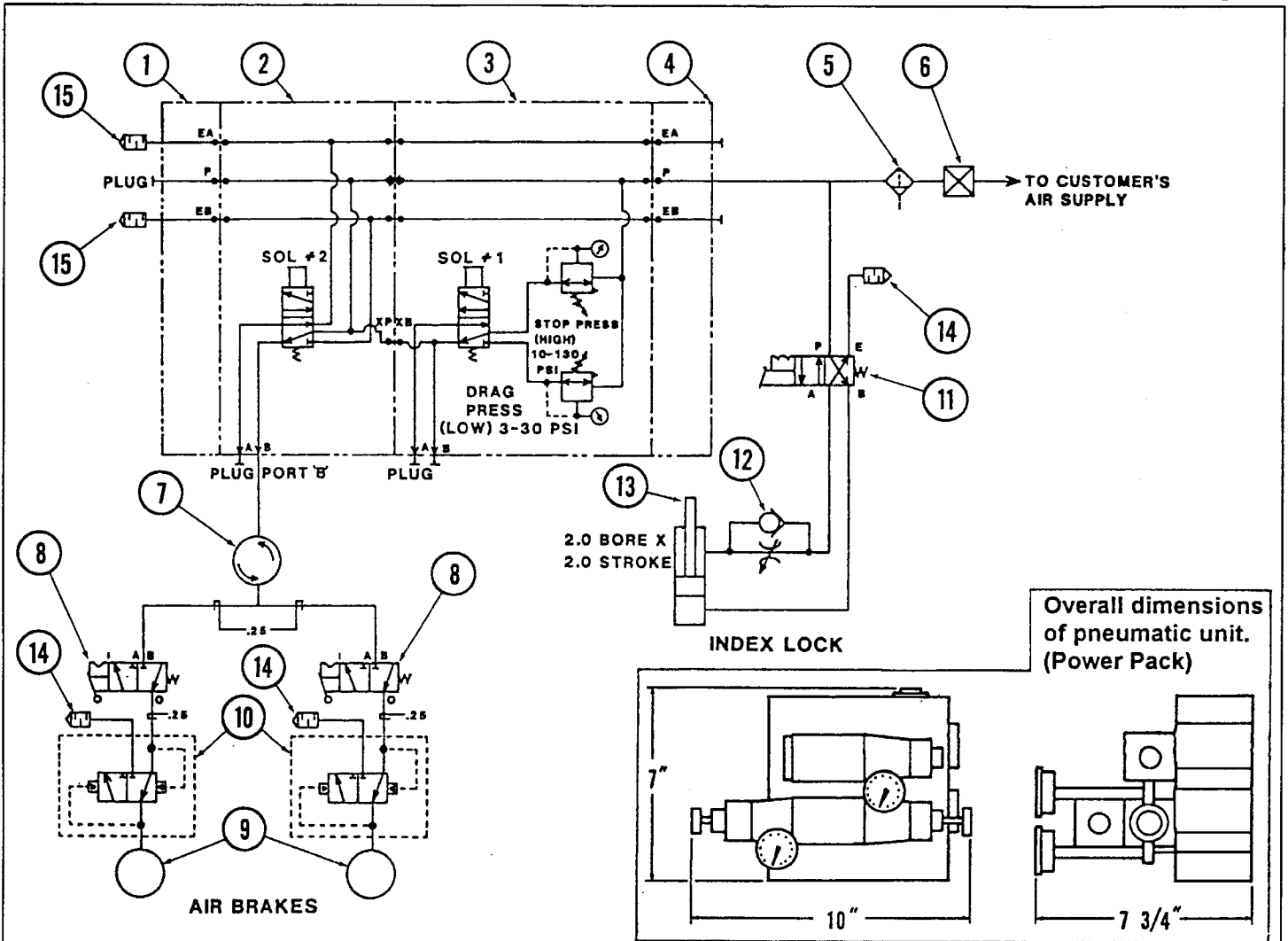


See page 8 for parts list.

**No. 10024 Advantage Series D'ble Reel:
Base & Turret Assembly Parts List**

ITEM NO.	DESCRIPTION	QTY. REQ.	ITEM NO.	DESCRIPTION	QTY. REQ.
1.	Rotor Seal ("Fawick" No. C-2)	1	32.	Pipe - Street Elbow (3/8" NPTF)	4
2.	Screw - ("Nylok" Soc. Hd. Cap .500"-13 x 1½" Lg.)	6	33.	Valve ("Pneutrol" No. EFL25-S-.375" Pipe Size)	1
3.	Cap - Pivot Post	1	34.	Bracket - Limit Switch	1
4.	Seal - Oil ("C.R." No. 19969)	1	35.	Switch - Limit ("Sq. D" No. 9007 Type AW-18-CA1)	1
5.	Screw - ("Nylok" Soc. Hd. Cap .375"-16 x 1" Lg.)	4	36.	Screw - ("Nylok" Soc. Hd. Cap No. 10-32 x 1-5/8" Lg.)	2
6.	Mounting - Rotor Seal	1	37.	Plate - Cover	1
7.	Locknut ("Mfgrs. Std." No. AN22)	2	38.	Screw - ("Nylok" Soc. Hd. Cap .250"-20 x ¾" Lg.)	2
8.	Lockwasher ("Mfgrs. Std." No. W22)	1	39.	Screw - ("Nylok" Soc. Hd. Cap .312"-18 x 1" Lg.)	4
9.	Bearing - Roller ("Timken No. 71450 Cone, No. 71750 Cup)	1	40.	Bracket - Filter	2
10.	Case - Bearing (Reference)	1	41.	Filter ("Norgren" Designer Series No. F12-300-M3TA - .375" Pipe Size)	1
11.	Screw - ("Nylok" Soc. Hd. Cap .250"-20 x 5/8" Lg.)	3	42.	Valve ("Globe" - Customer to Supply - .5")	1
12.	Bushing - Index Pin	2	43.	Screw - ("Nylok" Soc. Hd. Cap .375"-16 x 1" Lg.)	4
13.	Bearing - Roller ("Timken" No. 94700 Cone, No. 94113 Cup)	1	44.	Washer - Steel (.375" I.D.)	2
14.	Wicking - Felt Strip ("Metric" .38 x .62 x 36 ft. Lg. Firm With Sizing Added)	1	45.	Valve ("Numatics" Air Foot Operated Spring Return Detented 4-Way No. 33FSD4440)	1
15.	Screw - ("Nylok" Soc. Hd. Cap .750"-10 x 2" Lg.)	12	46.	Sub-Plate - Reel Base	1
16.	Post - Bearing	1	47.	Block - Foot valve Spacer	1
17.	Screw - ("Nylok" Soc. Hd. Cap .312"-18 x 1¼" Lg.)	2	48.	Plate - Name - Regulator - Drag Brake	1
18.	Key - Post - Base	2	49.	Starter ("Allen Bradley")	1
19.	Plate - Name - Lube Monthly	1	50.	Manifold - "Numatics" Brake Control (See Page 9)	1
20.	Bushing ("Bunting" No. E-838 With No. 2 Oil Groove)	2	51.	Plate - Name - Regulator - Full Brake	1
21.	Pin - Index	1	52.	Muffler ("Parker-Hannifin") Exhaust No. RM-37	3
22.	Collar - Index Pin	1	53.	Box ("Hoffman" J.I.C. Oil tight with Std. Lift Off Hinge No. A606LP 6 x 6 x 4)	1
23.	Screw - Set (.375"-16)	1	54.	Pin - Dowel (.500" x 2½" Lg.)	2
24.	Screw - ("Nylok" Soc. Hd. Cap .500"-13 x 3¼" Lg.)	4	55.	Screw - ("Nylok" Soc. Hd. Cap .750"-10 x 2½" Lg.)	4
25.	Fitting - Grease	2	56.	Base - Reel	1
26.	Pin - Dowel (.359" x 3¼" Lg.)	2			
27.	Block - Cylinder Mounting	1			
28.	Plate - Name - Index Turret	1			
29.	Cylinder ("Hannifin" Air Series-2A, Style J - 2.0" Bore, 2.0" Stroke Rod No. 1 - Style No. 4 - .4375"-20 Th'd)	1			
30.	Fitting - Male Pipe (3/8" NPTF)	2			
31.	Pipe - Elbow Joint - Female (3/8" NPTF)	1			

No. 10024 Advantage Series D'ble Reel:
Modular Pneumatic Unit and Diagram

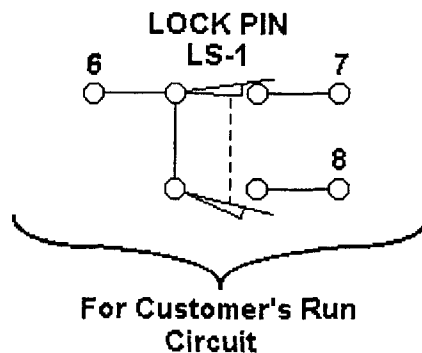
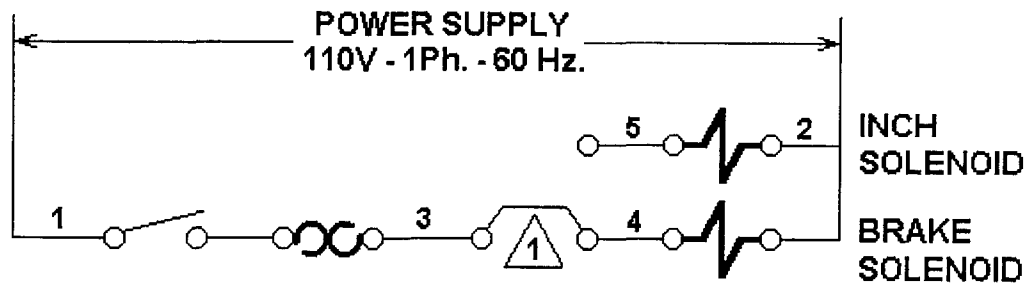
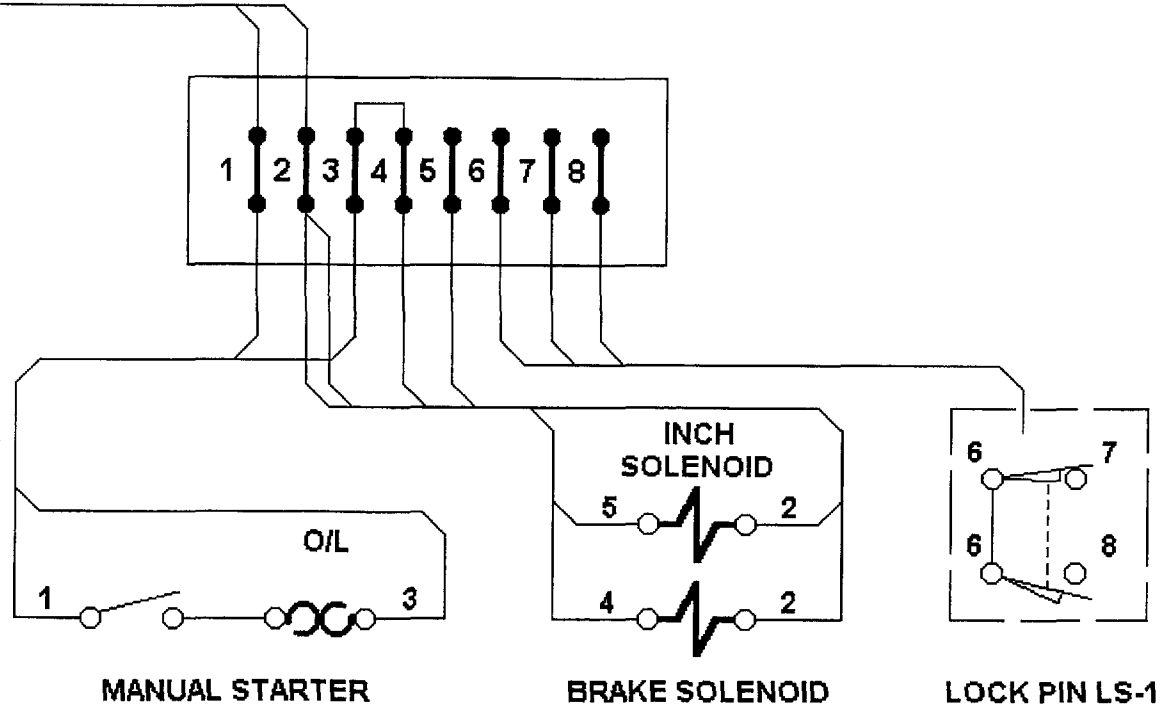


Overall dimensions of pneumatic unit. (Power Pack)

ITEM NO.	DESCRIPTION	QTY. REQ.	ITEM NO.	DESCRIPTION	QTY. REQ.
1.	Left end plate assembly "Numatics-Flexiblock" MK 15 Line #104-218B	1	7.	Rotor - Seal - "Fawick" Air #C2	1
2.	Valve block assembly "Numatics-Flexiblock" MK 15 Line #153SA416K, 110-120 V., 60 HZ	1	8.	Valve - Air "Hannifin" 3 way locking type #C5 lever operated .25 NPT	1
3.	Valve block assembly (2 Sta) "Numatics-Flexiblock" MK 15 Line #152SA400K & #152RT11BJ 1 Low 3-30 PSI & HIGH 10-130 PSI Regulator and Gage, 110-120 V., 60 HZ	1	9.	Brake - Air "I.C.C."	2
4.	Right end plate assembly "Numatics-Flexiblock" MK 15 Line #104-217B	1	10.	Valve - Air Quick Exhaust - "Pneutrol" Model EV-375, .375 Pipe Size	2
5.	Filter - "Norgren" - Air #F12-300-M3TA .375 NPT	1	11.	Valve "Numatics" Air foot operated #33FSD4440 .375 NPT	1
6.	Valve - Globe - Customer to	1	12.	Valve "Parker" flow control #F600-S, .375 NPT	1
			13.	Cyl. - Air "Parker" Style "J" 2" bore X 2" stroke	1
			14.	Muffler - Exhaust "Hannifin" #EM37, .375 NPT	3
			15.	Silencer "Quietaire" # AA-4, .50 NPT	2

**No. 10024 Advantage Series D'ble Reel
Wiring Diagram**

**POWER SUPPLY
110V - 1Ph. - 60 Hz.**



NOTE:

 - CUSTOMER'S CONTACT TO APPLY FULL BRAKE FOR STOPPING IF REQUIRED.

No. 10024 Advantage Series D'ble Reel:
Lubrication System

