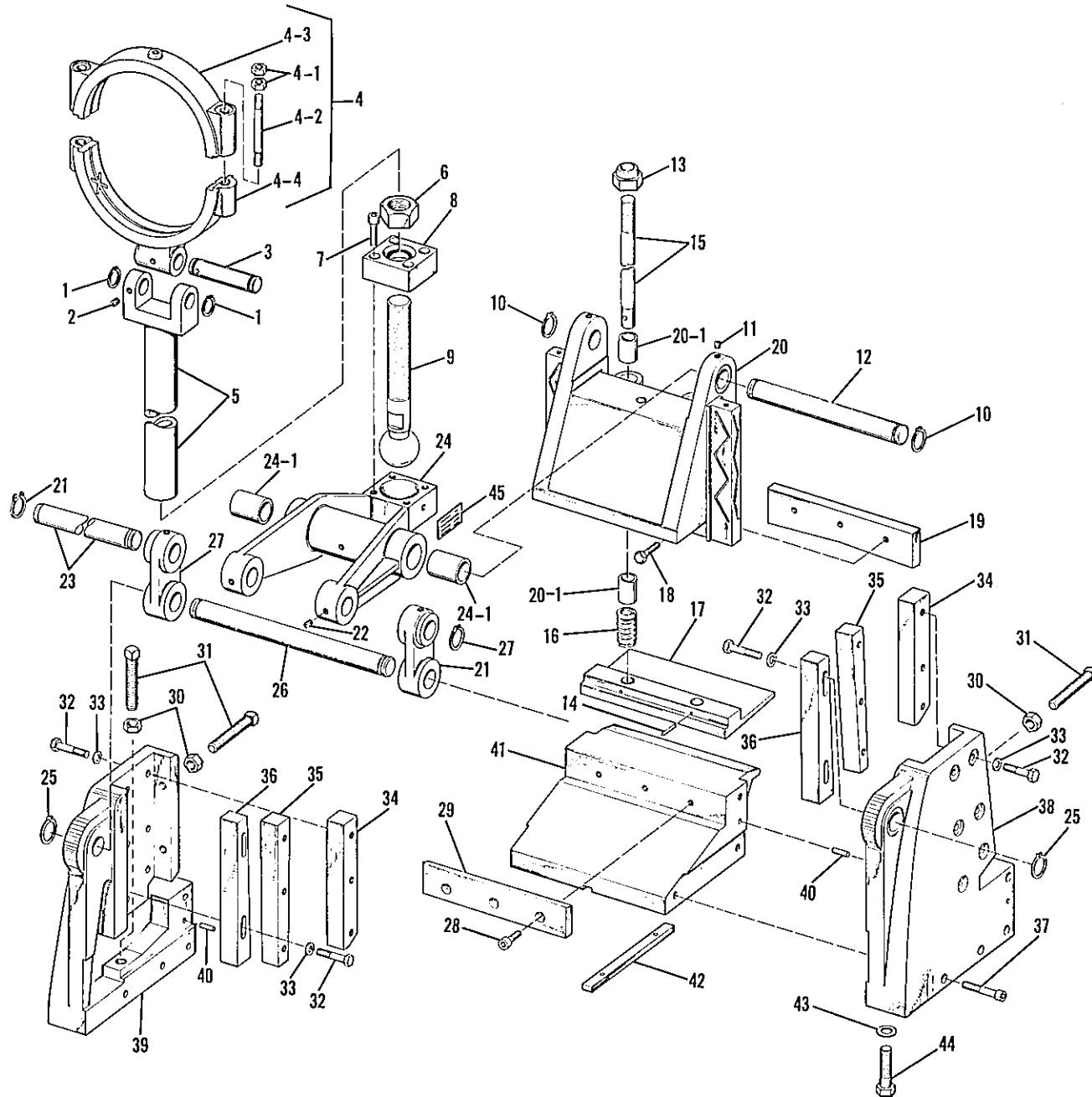


SECTION VI

SLIDE-TYPE SCRAP CUTTER



INDEX NO.	DESCRIPTION
1	Ring - Retainer
2	Screw - Socket Head Set
3	Pin - Upper Connecting Rod
4	Assembly - Scrap Cutter Eccentric Strap Consisting of: 4-1 Nut - Hex. Jam 4-2 Stud 4-3 Strap - Upper Scrap Cutter Eccentric 4-4 Strap - Lower Scrap Cutter Eccentric
5	Rod - Connecting
6	Nut Hex. Hd. Full
7	Screw - Hex. Hd. Cap
8	Cap - Ball End
9	Rod End - Lower Connecting
10	Ring - Retainer
11	Screw - Hol. Hd. Set
12	Pin - Slide
13	Nut - Elastic Stop
14	Pin - Roll
15	Rod - Stripper
16	Spring - Stripper
17	Plate - Stripper
18	Screw - Hex. Hd. Cap
19	Knife - Upper
20	Assembly - Scrap Cutter Slide Including: 20-1 Slide Bushing

INDEX NO.	DESCRIPTION
21	Ring - Retainer
22	Screw - Hol. Hd. Set
23	Pin - Link
24	Assembly - Scrap Cutter Lever Including: 24-1 Bushing
25	Ring - Retainer
26	Pin - Side Frame
27	Link
28	Screw - Hol. Hd. Cap
29	Knife - Lower
30	Nut - Hex. Jam
31	Stud - Adjusting
32	Screw - Hex. Hd. Cap
33	Washer - Finished Steel
34	Gib - Front
35	Gib - Back
36	Gib - Adjusting
37	Screw - Hol. Hd. Cap
38	Frame - Left Hand Side
39	Frame - Right Hand Side
40	Pin - Dowel
41	Base
42	Key - Base
43	Washer - Finished
44	Screw - Hex. Hd. Cap
45	Tag - Instruction

This is the heavy duty Scrap Cutter which is used on the larger Rack and Pinion Roll Feed handling heavier materials. Even though this unit is sturdily constructed, the Scrap Cutter should be positioned to cut through the narrowest position of the scrap skeleton. This procedure will lengthen the life of the knife blade and reduce the wear on the entire Scrap Cutter unit. If the Scrap Cutter knives, when they are sharpened, are ground on the cutting edges only, the thickness of the blade will not be destroyed and it will not be necessary to shim the blade to maintain the proper clearance.

CAUTION

After a change of Feed line height has been made, it is always necessary to change the distance between the eccentric strap and the Scrap Cutter lever. If this change is not made, damage will be done to the Scrap Cutter unit requiring replacement of certain parts.